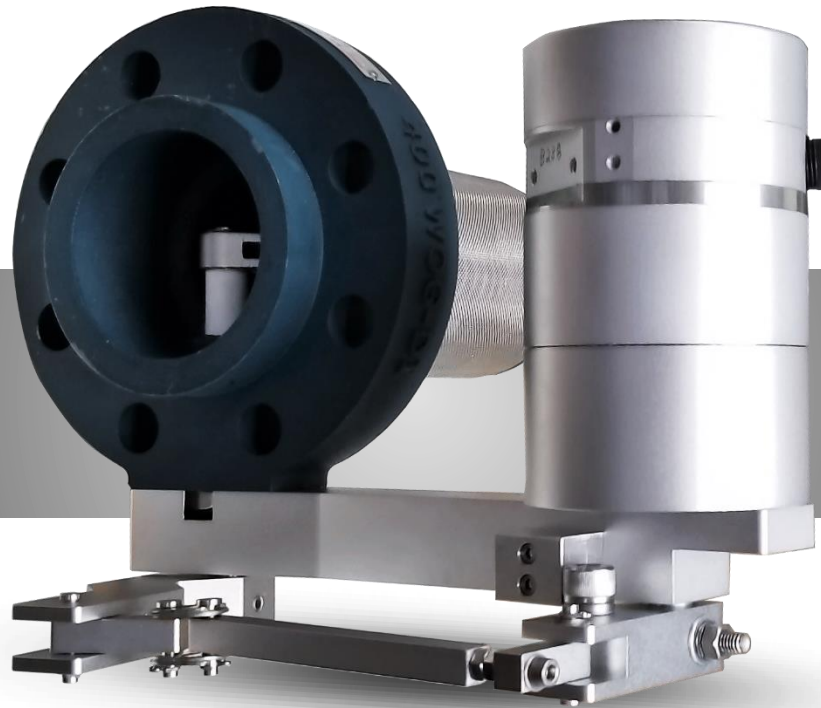


HANBAY

Electric Actuators

HIGH TORQUE ACTUATORS

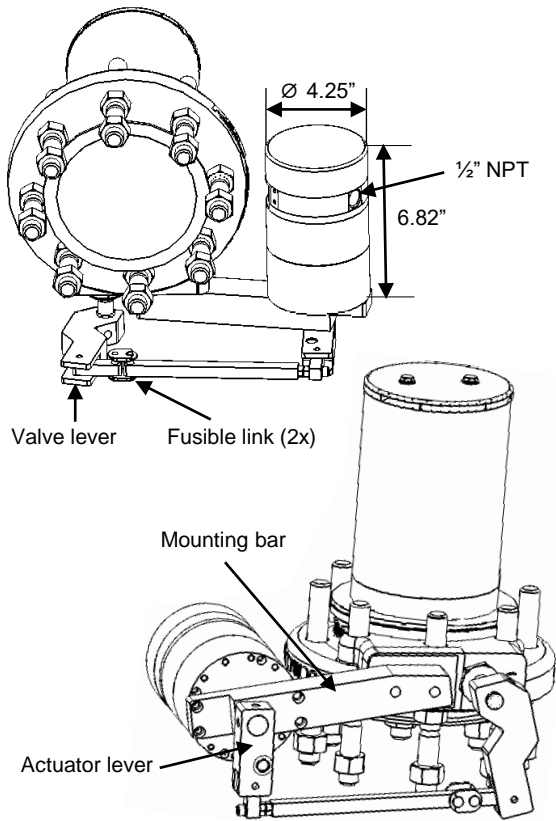
hanbayinc.com | 1 800 315 4461 | hanbaysales@hanbayinc.com



KEEP IT SIMPLE, GO ELECTRIC



Main Dimensions



General Description:

Type Rxx electric / electronic actuator are used to precisely position small valves and devices

Gears: Rxx actuators use sintered, greased for life metal gearing only

Housing: All housing parts anodized aluminum

Bearings: Oiled for life porous bronze bearings

External Fasteners: Stainless Steel

Manual Override: Mounted directly on the valve stem

Control: 24 VDC TTL

Limit Switches: Switches are triggered at fully closed, and fully open position. (Independent I/O)

General Specifications

Enclosure: NEMA 6 / IP67
IP68 / 40°C (104°F)

Enclosure: Class I, Div 1 Groups B, C, D / T6

Temperature range -40°C/F .. 70°C (185°F) Internal heater standard

Finish: Anodized aluminum

Stall protection: By current sense and motion detection

Feedback: Limit Switches

Life Expectance: 250,000 cycles or equivalent under specified conditions

Motor: BLDC brushless DC motor

Voltages: 24 VDC

Positioning precision: +/- 3 deg

Range setting: Spec'd to valve

Speed setting: Spec'd to valve

End of travel detection: By current sense and motion detection

Power setting: Spec'd to valve

Motor control: Internal micro controller

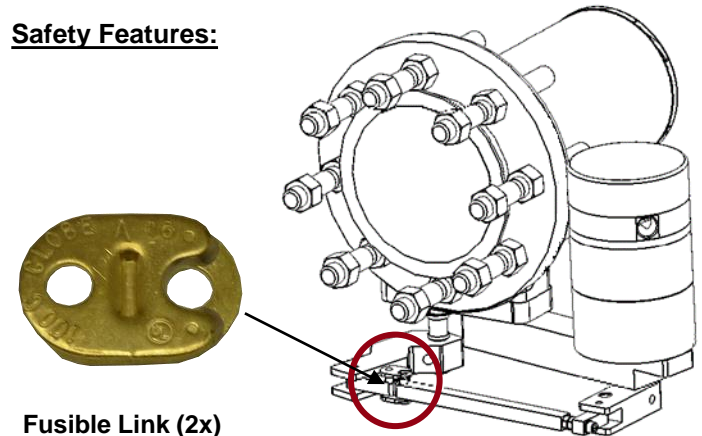
Mechanical shock: 1 m drop test no damage to function
Random SAE J1211, Chassis, Exterior

Mechanical vibration: Random SAE J1211, Chassis, Exterior

Performance:

Model	Torque [in-lbs]	Speed Range [time to open]	Speed Range [time to close]
RDU	600 in-lbs	10 seconds	10 seconds (18 seconds when power is lost)

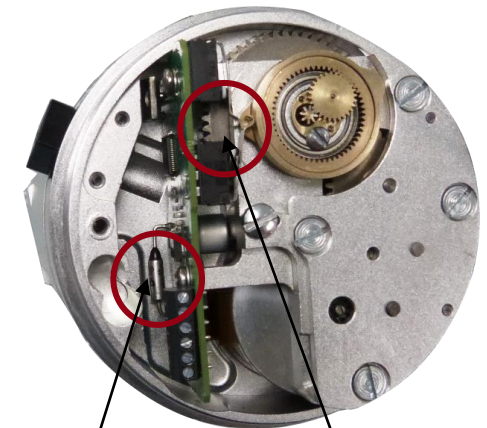
Safety Features:



Fusible Link (2x)

UL rated

Mechanically fails at 100°C (212°F), allowing internal valve's spring to shut off the flow.



Electronic Thermal Cut-Off

Internal component cuts power line at 98°C (208°F). Actuator closes when power is lost.

Open & Close Limit Switch

Spec'd to the open and closed positions of the valve.