

HANBAY
ELECTRIC ACTUATORS

SPRING RETURN FAIL-SAFE ACTUATORS

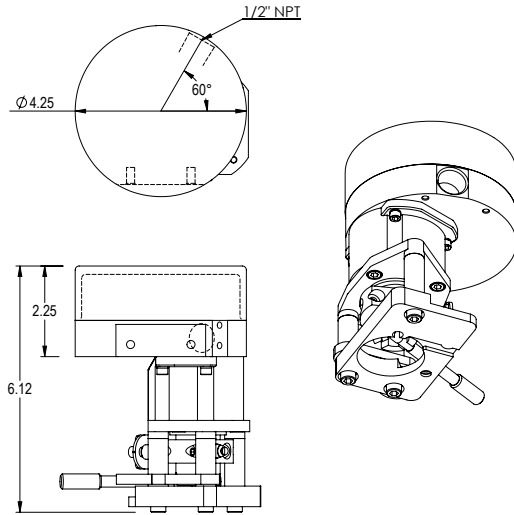
hanbayinc.com | 1 800 315 4461 | hanbaysales@hanbayinc.com



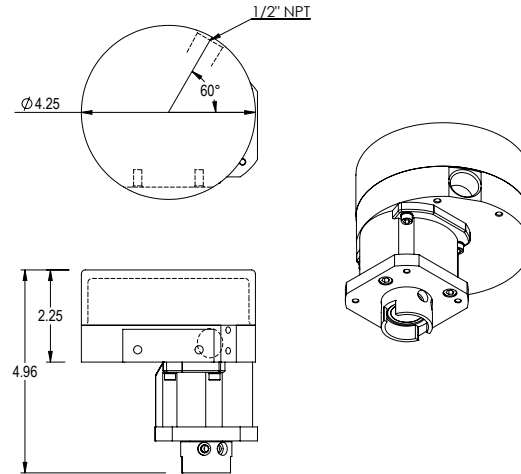
KEEP IT SIMPLE, GO ELECTRIC

Class I, Div I, Group B, C, D
Class II, Groups E,F,G

RDM w. internal / ESV valve:



RDM w. ball valve:

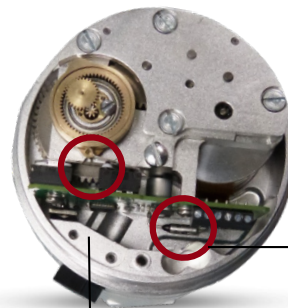


Specifications:

- Enclosure:** Aluminum die cast anodized or stainless
 Class I, Div 1 Groups B, C, D/ T6
 Class II Groups E, F, G/ T6 (85 °C)
- Temperature range:** -20 .. 40 °C
- Duty Cycle:** 25%
- Max. hold time:** Internal / ESV Valves: 30 mins
 Ball Valves: Unlimited
- Stall protection:** Electronic position & motion detection
- Feedback:** Limit Switches
- Gears & Bearings:** Metal and bronze, oiled/greased for life
- Life Expectance:** 250,000 cycles in specified conditions
- Motor:** Brushless DC motor, computer control
- Voltages/Current:** 12-24 VDC/Max3A
 110-240 VAC/Max1.5A @ 50/60 Hz
- Positioning Precision:** +/- 3 deg

- Motor Control:** By current sense and motion detection
- Mechanical shock:** 1m drop test no damage to function Random SAE J1211, Chassis, Exterior
- Mechanical vibration:** Random SAE J1211, Chassis, Exterior

Thermal Cut-Off:



Electronic Thermal Cut-Off
 Internal component cuts power line at 128°C (262°F). Actuator closes when power is lost.

Open & Close Limit Switch
 Spec'd to the open and closed positions of the valve.

Performance:

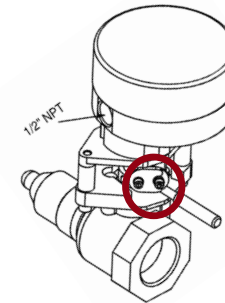
Model	Torque [in-lbs]	Speed Range [time to open]	Speed Range [time to close]
RDM	140	4	2 (2 sec power loss)

Use signal-off instead of power-off whenever possible.

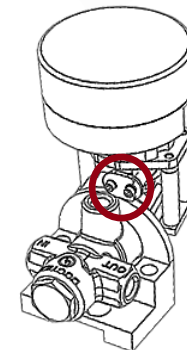
Actuators for both fail-close and fail-open applications are available.



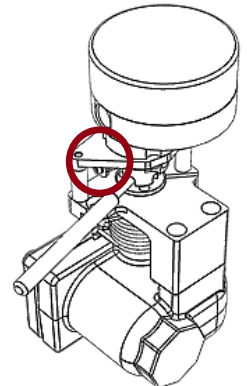
Fusible Link:



Fusible Link
 UL rated
 (only used with internal valves)



mechanically fails at 100°C (212°F), allowing valve's spring to shut off the flow.



Certifications:

- IP 68 (60529:2013)
- CSA & IECEx Certified Enclosure
- ICES-001 ISSUE 5 July 2020
- IEC 61000-6-2:2016, IEC 61000-6-4:2018
- FCC 47 CFR PART 15 SUBPART B
- EN 61362-1:2013 (GROUP 1, CLASS A; Industrial electromagnetic environment)