

HANBAY

Electric Actuators

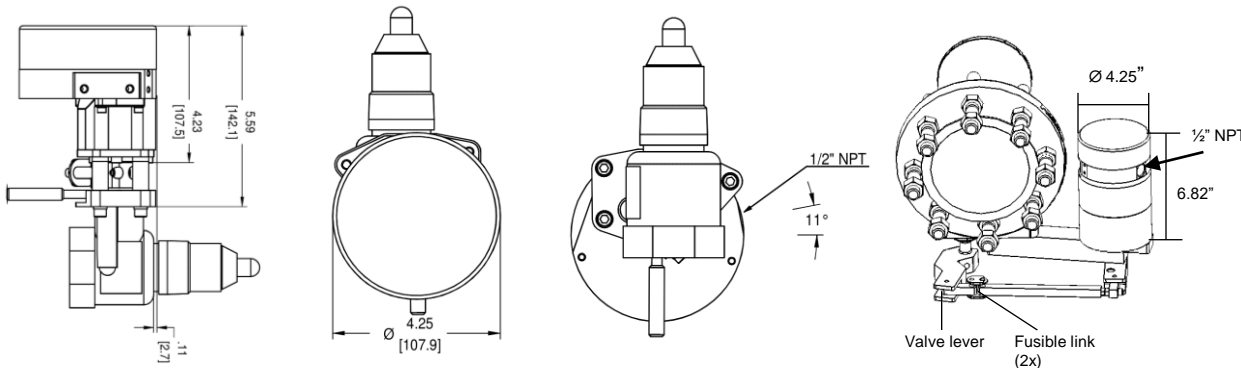
SPRING RETURN ACTUATORS

hanbayinc.com | 1 800 315 4461 | hanbaysales@hanbayinc.com



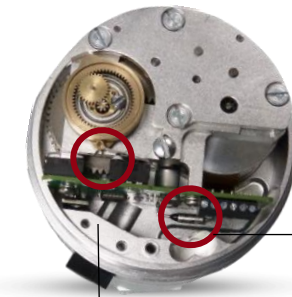
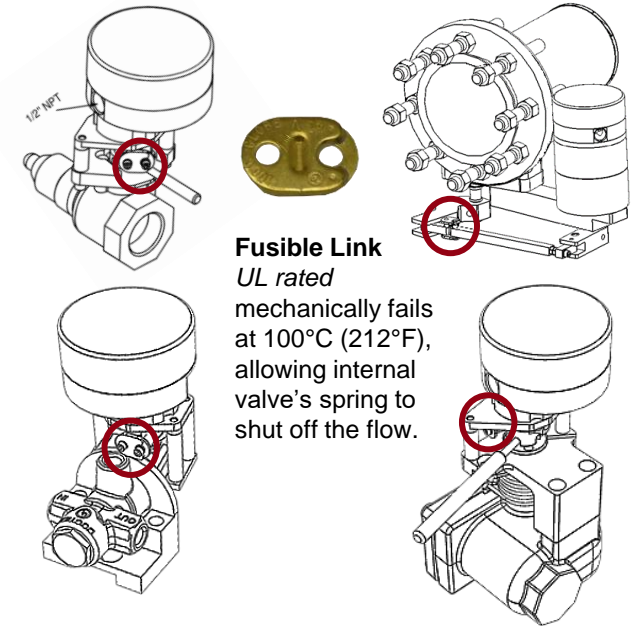
KEEP IT SIMPLE, GO ELECTRIC





RDx ¼ and ½ turn models

Model	Torque [in-lbs]	Speed Range [time to open]	Speed Range [time to close]
RDM	90	4	2 (2 sec power loss)
RDU	600	10	10 (18 sec power loss)



Open & Close Limit Switch
Spec'd to the open and closed positions of the valve.

Description and Specifications:

Enclosure: Aluminum die cast anodized, stainless Class I, Div 1 Groups B, C, D / T6

Temperature range 0 .. 70 deg Cel (derate duty cycle at high temp.)

Ext. temp. range -40 .. 80 deg (with Heater option) Internal heater standard

Stall protection: Electronic position and motion detection

Feedback: Limit Switches

Gears & Bearings: Metal and bronze, oiled/greased for life

Life Expectance: 250,000 cycles in specified conditions

Motor: Brushless DC motor

Voltages/Current: 12-24 VDC / Max3A @ 24VDC
110/220 VAC / Max3A @ 110/220VAC

Positioning precision: +/- 3 deg

Range/Speed setting: Dip switches inside enclosure

End of travel detection: By current sense and motion detection

Power setting: Adjustable

Motor control: Internal micro controller

Mechanical shock: 1 m drop test no damage to function Random SAE J1211, Chassis, Exterior

Mechanical vibration: Random SAE J1211, Chassis, Exterior

Failsafe fusible link: Fails at 100°C (212°F),

Failsafe thermal cut-off: cuts power line at 98°C (208°F)