

RDx-S-xxxPx-10.3 Fail-Safe

(12-24 VDC; Spring Return; Limit Switch Feedback; For Internal & Ball Valves)
CSA/IECEX Rated*

USER MANUAL

Contents

INSTALLATION	2
Mounting	2
Wiring	2
<i>Wiring for Explosion Proof Actuators</i>	2
<i>Wiring for Non-Explosion Proof Actuators</i>	3
Power Supply and Current Draw	3
Control Signal	4
OPERATION	5
Functionality	5
<i>Spring Return</i>	5
<i>Feedback via Limit Switches</i>	5
Torque and Speed	5
Safety features	6
<i>Fusible Link</i>	6
<i>Thermal Cutoff</i>	6
EXPLOSION PROOF CERTIFICATIONS	7
ACTUATOR DIMENSIONS	8
PART NUMBER BREAKDOWN	9
LABEL BREAKDOWN	10



***Only model numbers:
 RDx-S-BxxPx w/ ex-proof
 lid engraving (p.7)**



INSTALLATION

Mounting

The holes indicated in the image are intended for a mounting bracket. They are threaded for 1/4-20 and are 0.4" deep.

The other two visible holes are threaded 10-32, 0.50" deep, and are intended to be used to lock the lid in position with screws.

For detailed dimensions see p.8.

Wiring

Wiring for Explosion Proof Actuators



The **RDx-S-BxxPx** Explosion-Proof actuator does **not** come with a pre-installed cable, nor cable gland. A cable gland that meets site specifications for the appropriate hazardous location rating is required for installation. The cable gland and the cable for hazardous location should be installed by qualified personnel in accordance with site and local requirements.

The actuator comes standard with a 1/2" FNPT thread cable entry. See p.8 for location of 1/2" FNPT housing access. A cable with 6 wires is required; it is recommended to use 16-24 AWG for all wires.



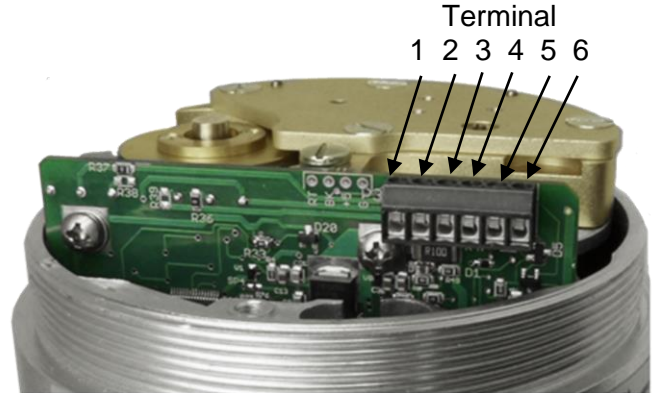
Standards for cable gland and cable in hazardous locations:

Compliance Standards Required to be Met	Cable Types Permitted in Class I Division 1 Hazardous Locations
ANSI / UL 514B, ANSI / UL 1203, ANSI / UL 2225, C22.2	Non-Armored Extra Hard Usage Cord & TC-ER-HL
ANSI / UL 514B, ANSI / UL 1203, ANSI / UL 2225	Armored IEEE 45 & IEEE 1580 Marine Shipboard Cable
ANSI / UL 514B, ANSI / UL 1203, ANSI / UL 2225	MC-HI, ITC-HL
ANSI / UL 514B, ANSI / UL 1203, C22.2	Teck 90 (Canada Only)

* In explosion-proof models, the FNPT thread is not intended for conduit connection. Cable gland only.

Once the cable and cable gland are installed, connect the wires to the pins on the terminal block as indicated here:

Terminal #	Description
6	+24 VDC ($\pm 20\%$)
5	Power gnd.
4	Signal (provide 24 V)
3	Limit Switch Common
2	Limit Switch - Valve Closed
1	Limit Switch - Valve Open



Wiring for Non-Explosion Proof Actuators

The actuator comes standard with a Turck 6-position connector and a 20' cable (6x 22 AWG) with plug. Cut the cable to the length required, then connect according to the following wire color schematic.

Pins indicate the connection of the cables to the terminal block on the PCB board within the actuator. These are pre-wired at the factory for non-explosion proof actuators.

Wire color schematic for “Turck 6” cable:

Pin	Colour	Description
6	White	+24 VDC ($\pm 20\%$)
5	Black	Power gnd.
4	Blue	Signal (provide 24 V)
3	Brown	Limit Switch Common
2	Grey	Limit Switch - Valve Closed
1	Pink	Limit Switch - Valve Open

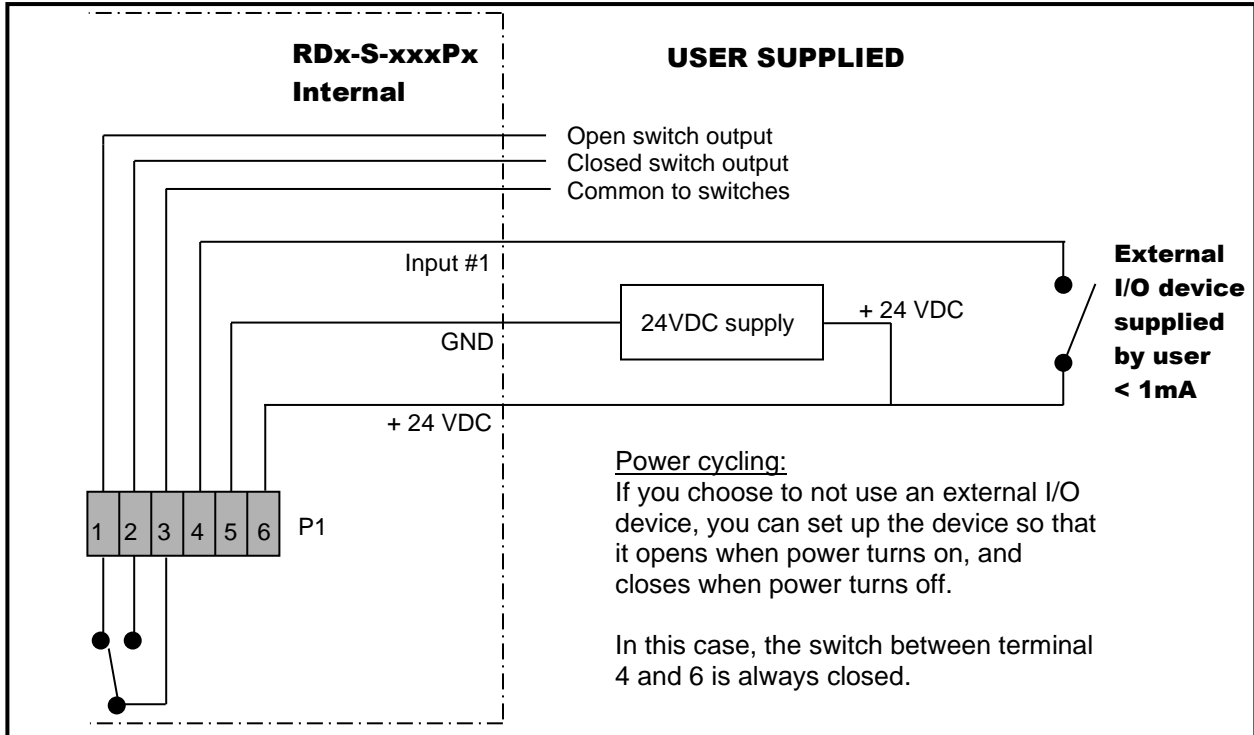
Power Supply and Current Draw

The **RDx-S-xxxPx** may be connected to voltages ranging within 12-24 VDC.

The current draw will range from minimum 100 mA to maximum 3 A while the actuator is active. When not moving, the actuator draws approx. 50 mA.

Control Signal

Locate the correct connection terminals/wires as shown on the previous page, then connect your input signal on terminal 4 (blue wire for non-explosion proof models), as shown below.



OPERATION

Functionality

Input #1 (Terminal 4)	Action taken
Low (gnd.)	Moves to or remains in closed position
High (+24 VDC)	Moves to or remains in open position

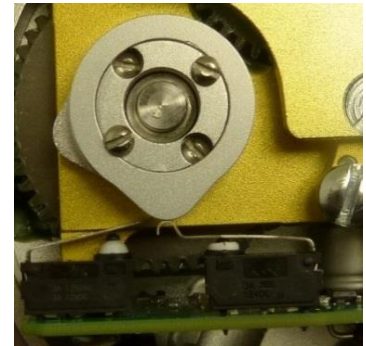
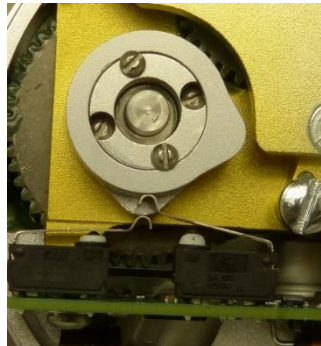
Spring Return

The spring-return add-on closes the attached valve whenever power is turned off or lost for any reason.

Feedback via Limit Switches

Actuator Position	Action taken
Open	Terminal 1 is connected to Terminal 3
Closed	Terminal 2 is connected to Terminal 3
In between	Nothing is connected to Terminal 3

Limit switches are triggered mechanically when the actuator is fully closed or fully open.



IMPORTANT: The limit switches are rated for 3 A @ 125 VAC and @ 12 VDC. Exceeding this will lead to damage, preventing the actuator from working properly.

Torque and Speed

Model	Torque [in-lbs]	Speed Range [time to open]	Speed Range [time to close]
RDM (internal valves)	140	4	2 (2 sec power loss)
RDM (ball valves)	40	4	2 (time upon power loss depends on valve)

Note: Opening and closing times are for the actuator. The valve may be fully open or closed before the actuator reaches these limits.

Safety features

Fusible Link

This part is used only in combination with internal valves. It is UL approved and will fail mechanically at 100 °C (212 °F).

Upon failure, the valve becomes de-coupled from the actuator, allowing the valve to be shut by its own spring.



Thermal Cutoff

This part is used with all valves. It is UL approved and found on the PCB board within the actuator enclosure, as shown below. When a temperature of 128 °C (262 °F) is reached, it severs the electrical connection, making the actuator close itself via spring-return.



EXPLOSION PROOF CERTIFICATIONS

Actuator model number: RDx-S-**B**xxPx

IECEX

Standards & Editions:

IEC 60079-0:2017, 7th Edition
IEC 60079-1:2014, 7th Edition

*Serial number will be engraved on the lid.

CSA

Standards:

Class I, Div 1, Groups B, C, D (T6)
Class II, Groups E, F, G (T6)

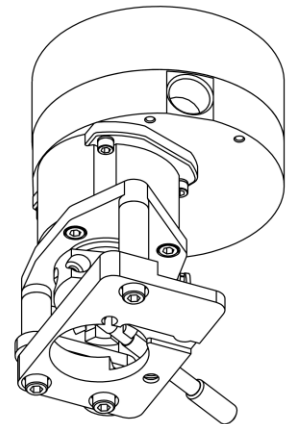
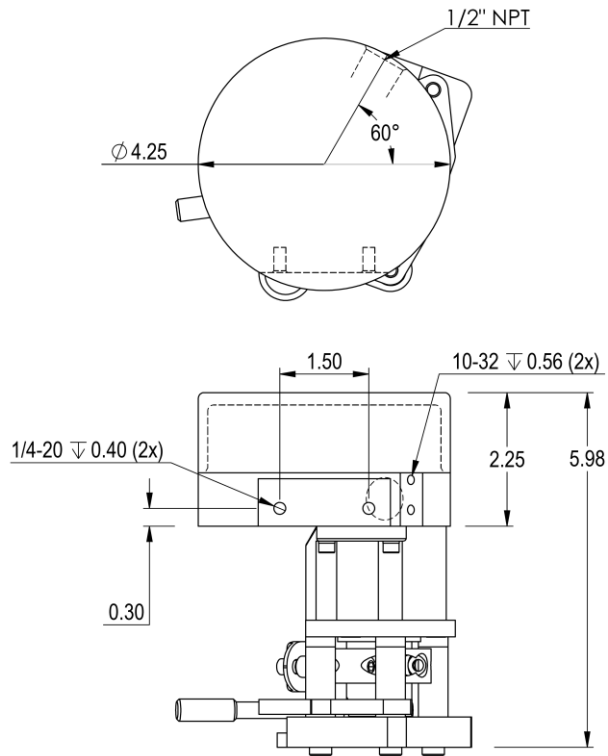
CAN/CSA Std. C22.2 No. 0-M91 (R2001)
CSA Std C22.2 No. 25-1966 Locations
CSA Std C22.2 No. 30-M1986 Locations
UL 1203-2006



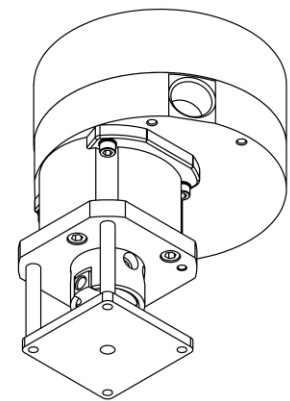
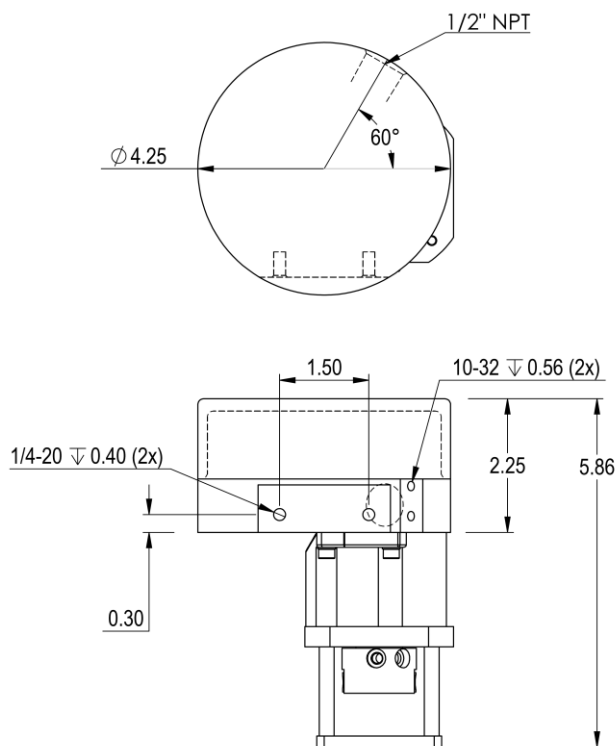
Lid engraving with CSA & IECEX certifications.

ACTUATOR DIMENSIONS

RDM-S-xxxPx models (internal valves)



RDM-S-xxxPx models (ball valves)



PART NUMBER BREAKDOWN

Full Hanbay Part Number: **R** **D** - **S** - **Px** - **Valve Manufacturers Part # / CU #**

	Base Enclosure	Continuous or Discrete	Gear Train	Special Options	Enclosure Options	Wiring	Thermal Management	PCB	Mounting Kit	Valve Part Number
R			-	-					-	Valve Manufacturers Part # / CU #
R	R-Series									0 No Valve or Mounting Kit 1 Mounting Kit, Customer Supplies Valve, does not send valve to Hanbay 2 Mounting Kit, Customer Supplies Valve, sends valve to Hanbay 3 Mounting Kit, Hanbay Provides Valve
C	Continuous									
D	Discrete									
J	Extra Low Torque									
L	Low Torque									
M	Medium Torque									
H	High Torque (Add. Gear Stage)									
F	Higher Torque (Add. Gear Stage)									
AB	Analog Signal Board									
AI	Analog Signal Board Isolated Input									
AF	Analog Signal Board Isolated with Feedback									
DC	Continuous TTL Input Board									
DT	TTL Input Board with Integrated Feedback									
AS	Modbus Control with Feedback									
PT	Propane Board, Limit Switches, Thermal Cut Off									
0	No Option									
H	Internal Heater									
F	External Fan									
0	Cable Gland (Specify Cable & length at added cost)									
4	Custom Dual Gauge Cable, 10ft.									
5	TURCK 5 Position Connector w. 20' Cable and Plug									
6	TURCK 6 Position Connector w. 20' Cable and Plug									
7	TURCK 5 Position Connector Only									
8	TURCK 8 Position Connector w. 20' Cable and Plug (Special)									
0	Standard Silver Alloy Enclosure									
B	Explosion-Proof Rated Enclosure									
M	Manual Override									
S	Stainless Steel Enclosure									
U	Submersible									
0	No Special Options									
HT	High Temperature Kit									
B	Battery Backup									
G	G-Stage Gate Valve (RCM or RCL)									
L1	Linear 16 TPI (not for use with RCM)									
L2	Linear 8 TPI									
M	Manual Override (When M in Enclosure Option is not usable)									
AC	110VAC Power Supply									
S	Spring Return									
RS	Reverse Spring Return									
TS	Top Stop									
BS	Bottom Stop									

LABEL BREAKDOWN

Actuator Supply Voltage

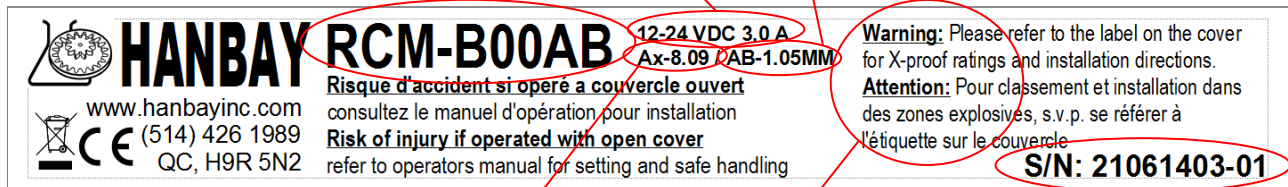
12-24 VDC @ 3.0 A or
110-240 VAC @ 1.5 A

Firmware Version

AF-1.05	}	MM = Multiturn
AB-1.05		MML = Multiturn Low Torque
AS-1.05		MMUL = Multiturn Extra Low Torque
		QM = Quarter turn
		QM97 = Quarter turn 97°
DT-2.01		
DC-2.01		
DT-4.06		(Obsolete since 2019)
M-Dx		V2.31

Actuator Part Number

Refer to part number breakdown for available options.



Circuit Board Version

Ax-8.09
Dx-10.31
Dx-4.10 (Obsolete since 2019)
Px-10.3

Ex-proof Certification

Info on ex-proof ratings and installation instructions.

Actuator Serial Number

This serial number is unique for each individual unit and is directly tied to your order/invoice number.