

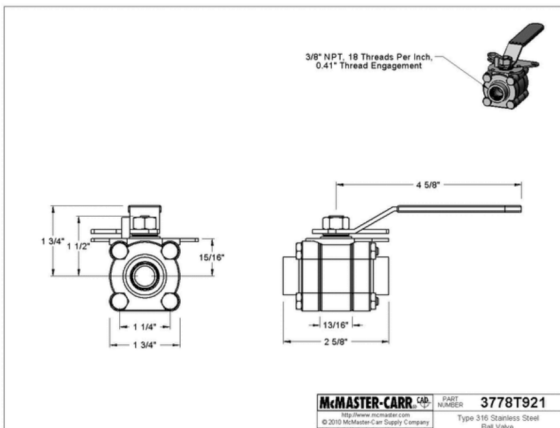


Assembled View



Exploded View

| | |
|------------------------|---|
| Valve Function | On/Off |
| Valve Type | Ball |
| Activation | Manual |
| Valve Operation | Handle |
| Handle Style | Lever |
| Handle Type | Lockable |
| Fitting Type | Connector |
| Connection Type | Pipe |
| Connection Style | Threaded |
| Pipe Size | 3/8 |
| Gender | Female |
| Thread Type | NPT |
| Flow Coefficient (Cv) | 8 |
| Maximum Pressure | 1440 psi @ 200° F |
| Maximum Steam Pressure | 450 psi @ 460° F |
| Temperature Range | 0° to 550° F |
| Vacuum Rating | Not Rated |
| Body Material | 316 Stainless Steel |
| Ball Material | 316 Stainless Steel |
| Seal Material | Graphite |
| Seat Material | TFE Plastic |
| Packing Material | TFE Plastic |
| Port Type | Full |
| Shape | Straight |
| End-to-End Length | 2 5/8" |
| For Maximum Shackle | 1/4" |
| Diameter | |
| Overall | |
| Height | 2 1/8" |
| Length | 5 13/16" |
| For Use With | Water, Oil, Air, Argon, Helium, Krypton, Neon, Xenon, Steam |
| Chemical Resistance | |
| Excellent | Acetone, Air, Ammonia, Argon, Butane, Carbon Dioxide, Deionized Water, Diesel Fuel, Fuel Oil, Gasoline, Helium, Kerosene, Krypton, Methyl Ethyl Ketone, Natural Gas, Neon, Nitric Acid (100% Concentration), Nitric Acid (25% Concentration), Nitric Acid (50% Concentration), Nitrogen, Oil, Oxygen, Soap Solutions, Sodium Hydroxide (25% Concentration), Sodium Hydroxide (50% Concentration), Sodium Hydroxide (75% Concentration), Steam, Sulfuric Acid, Toluene, Water, Xenon, Xylene |
| Moderate | Chlorine, Citric Acid (100% Concentration), Citric Acid (25% Concentration), Citric Acid (50% Concentration), Drinking Water, Ethylene Glycol, Mineral Spirits, Phosphoric Acid (25% Concentration), Phosphoric Acid (50% Concentration), Propane |
| Poor | Sodium Hypochlorite (100% Concentration), Sodium Hypochlorite (25% Concentration), Sodium Hypochlorite (50% Concentration) |
| Warning Message | Chemical compatibility must be determined by the customer based on the conditions in which the product is being used, including the presence of other chemicals, temperature, and consistency. |
| RoHS | RoHS 3 (2015/863/EU) Compliant |
| REACH | REACH (EC 1907/2006) (06/25/2020, 209 SVHC) Compliant |
| DFARS | Specialty Metals COTS-Exempt |
| Country of Origin | Taiwan |



Maintain and repair these valves without unthreading pipe connections. They have a three-piece bolted body that disassembles inline for access to internal components. All are full port, so they do not restrict flow.

316 stainless steel valves are more corrosion resistant than bronze or steel valves.

Lockable lever handles can be fixed in place using a padlock (not included).

Flow coefficient (Cv) is the amount of water (in gallons per minute) at 60° F that will flow through a fully open valve with a difference of 1 psi between the inlet and the outlet.