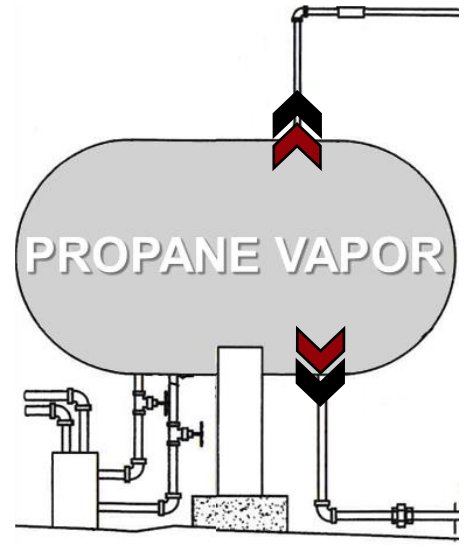
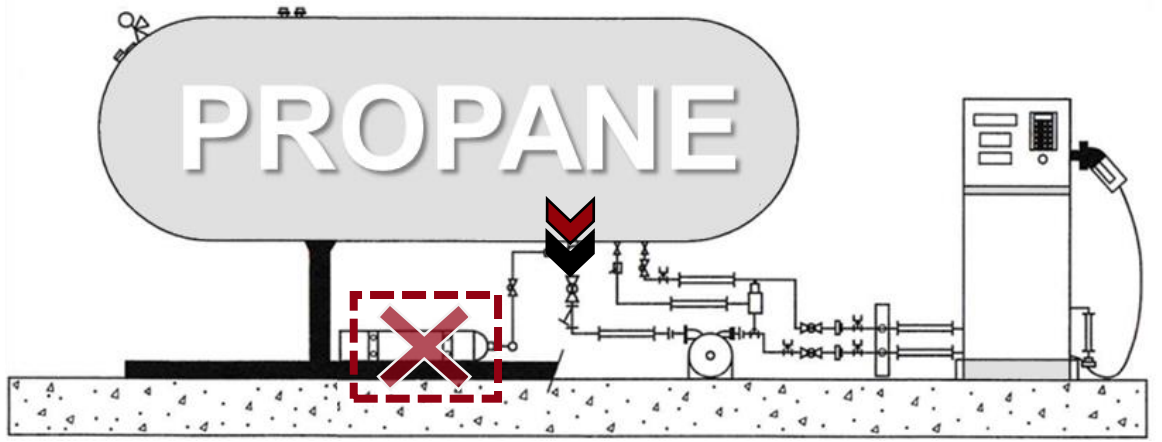
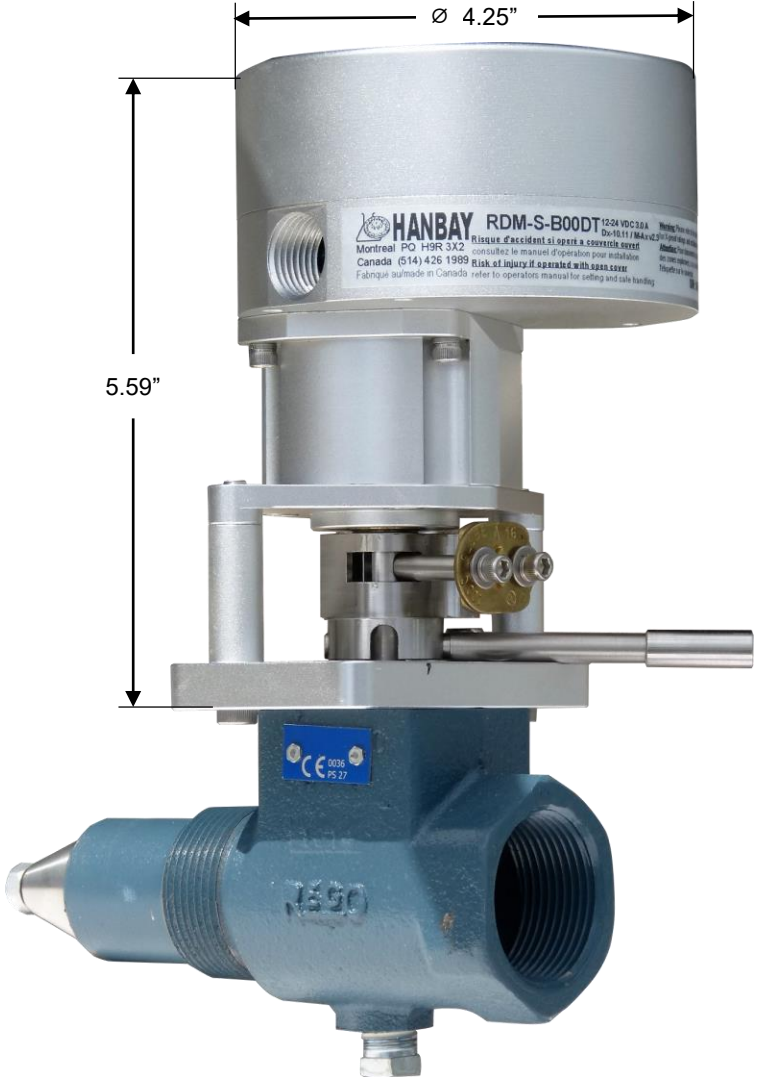


KEEP IT SIMPLE GO ELECTRIC

Auto valve shut off when power is *turned off or lost*



compatible with:



**CSA / UL rated
Explosion-Proof
Enclosure**

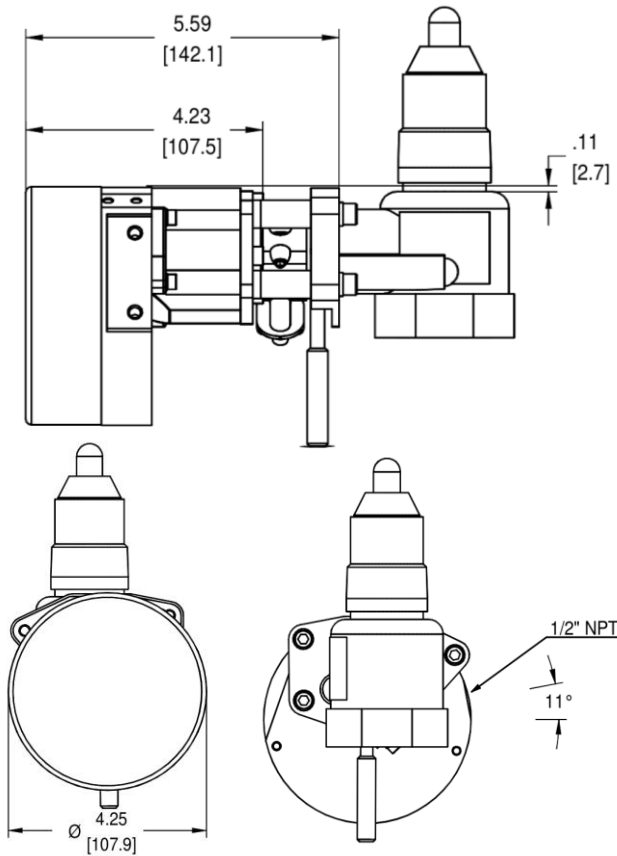
Upgrade your system with electric actuators

hanbayinc.com

Easy Installation | Dual Fail-Safe Protection | Maintenance-Free

1 800 315 4461

Main Dimensions



General Description:

Type Rxx electric / electronic actuator are used to precisely position small valves and devices

Gears: Rxx actuators use sintered, greased for life metal gearing only

Housing: All housing parts anodized aluminum

Bearings: Oiled for life porous bronze bearings

External Fasteners: Stainless Steel

Manual Override: Mounted directly on the valve stem

Control: 24 VDC TTL

Limit Switches: Switches are triggered at fully closed, and fully open position. (Independent I/O)

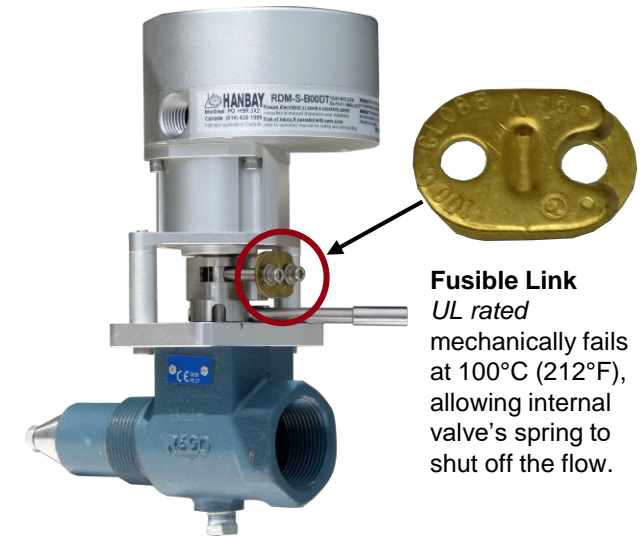
General Specifications

Enclosure:	NEMA 6 / IP67 IP68 / 40°C (104°F)
Enclosure:	Class I, Div 1 Groups B, C, D / T6
Temperature range	-40°C/F .. 70°C (185°F) Internal heater standard
Finish:	Anodized white, Stainless
Stall protection:	By current sense and motion detection
Feedback:	Limit Switches
Life Expectance:	250,000 cycles or equivalent under specified conditions
Motor:	BLDC brushless DC motor
Voltages:	24 VDC
Positioning precision:	+/- 3 deg
Range setting:	Set according to valve
Speed setting:	Set according to valve
End of travel detection:	By current sense and motion detection
Power setting:	Set according to valve
Motor control:	Internal micro controller
Mechanical shock:	1 m drop test no damage to function Random SAE J1211, Chassis, Exterior
Mechanical vibration:	Random SAE J1211, Chassis, Exterior

Performance:

Model	Torque [in-lbs]	Speed Range [time to open]	Speed Range [time to close]
RDM	90 in-lbs	4 seconds	2 seconds (2 seconds when power is lost)

Safety Features:



Electronic Thermal Cut-Off

Internal component cuts power line at 98°C (208°F). Actuator closes when power is lost.

