

# RDU Spring Return Actuator

CSA/UL rated  
Explosion Proof  
Class I, Div I, Group B, C, D



Automatic valve shut off when power is **turned off** or **lost**.  
Embedded and external dual fail-safe protection.

- Open & Close limit switches
- Maintenance free operation
- Fits on transport vessels, stationary tanks and railcars

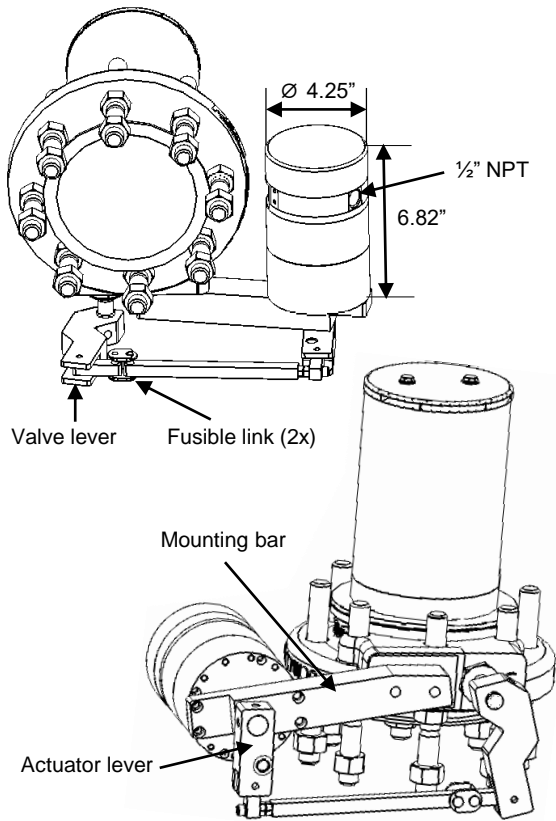


**KEEP IT SIMPLE GO ELECTRIC**

Designed for LP gas and anhydrous ammonia control applications

Electric spring return valve actuator compatible with **FISHER** **REGO** **MEC** 4"- 6" flanged internal valves

## Main Dimensions



## General Description:

Type Rxx electric / electronic actuator are used to precisely position small valves and devices

**Gears:** Rxx actuators use sintered, greased for life metal gearing only

**Housing:** All housing parts anodized aluminum

**Bearings:** Oiled for life porous bronze bearings

**External Fasteners:** Stainless Steel

**Manual Override:** Mounted directly on the valve stem

**Control:** 24 VDC TTL

**Limit Switches:** Switches are triggered at fully closed, and fully open position. (Independent I/O)

## General Specifications

**Enclosure:** NEMA 6 / IP67  
IP68 / 40°C (104°F)

**Enclosure:** Class I, Div 1 Groups B, C, D / T6

**Temperature range** -40°C/F .. 70°C (185°F) Internal heater standard

**Finish:** Anodized aluminum

**Stall protection:** By current sense and motion detection

**Feedback:** Limit Switches

**Life Expectance:** 250,000 cycles or equivalent under specified conditions

**Motor:** BLDC brushless DC motor

**Voltages:** 24 VDC

**Positioning precision:** +/- 3 deg

**Range setting:** Spec'd to valve

**Speed setting:** Spec'd to valve

**End of travel detection:** By current sense and motion detection

**Power setting:** Spec'd to valve

**Motor control:** Internal micro controller

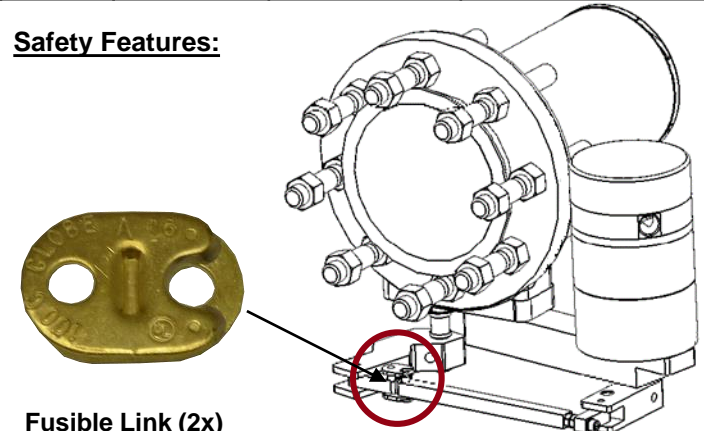
**Mechanical shock:** 1 m drop test no damage to function  
Random SAE J1211, Chassis, Exterior

**Mechanical vibration:** Random SAE J1211, Chassis, Exterior

## Performance:

Model	Torque [in-lbs]	Speed Range [time to open]	Speed Range [time to close]
RDU	600 in-lbs	10 seconds	10 seconds (18 seconds when power is lost)

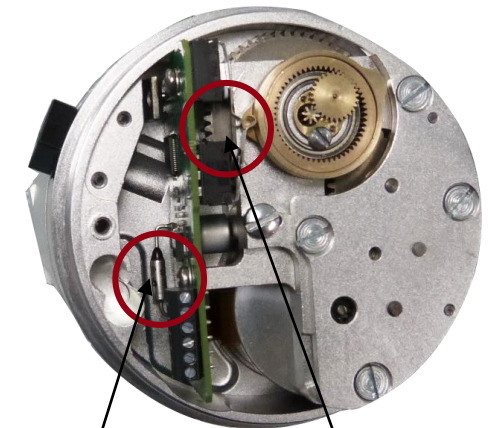
## Safety Features:



### Fusible Link (2x)

*UL rated*

Mechanically fails at 100°C (212°F), allowing internal valve's spring to shut off the flow.



### Electronic Thermal Cut-Off

Internal component cuts power line at 98°C (208°F). Actuator closes when power is lost.

### Open & Close Limit Switch

Spec'd to the open and closed positions of the valve.