

L-Series Actuator
M-Series Model
3/4" Needle Valve



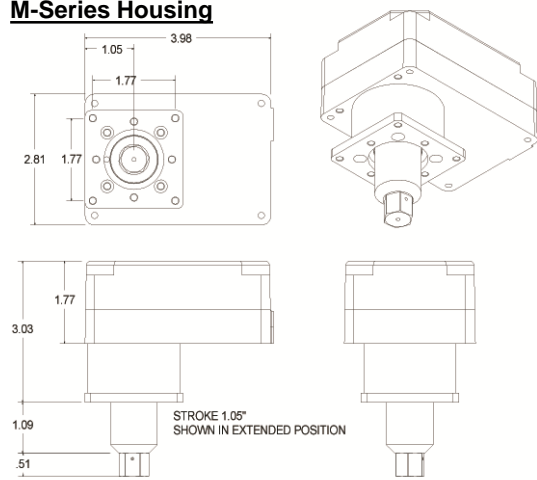
AUTOMATE



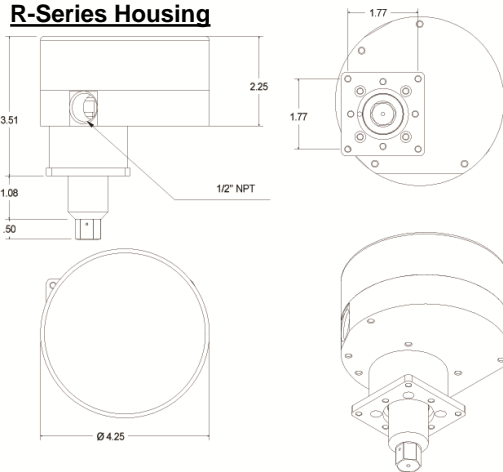
ANYTHING

L-Series Actuator
R-Series Model
1/2" Needle Valve

M-Series Housing



R-Series Housing



General Specifications:

Enclosure:	NEMA 4 / IP56
Temperature range:	0 .. 70 deg Cel (de-rate duty cycle at high temp.)
Extended temperature range:	-40 .. 70 deg Cel [w. Heater option]
Finish:	E-coating, Stainless
Stall protection:	By electronic position and motion detection
Feedback:	M-Series: 4.20mA, RS485 R-Series: TTL, 4.20mA
Life Expectance:	250,000 cycles or equivalent under specified conditions
Motor:	BLDC brushless DC motor.
Voltages:	12-24 VDC
Stall protection:	By electronic position and motion detection
Positioning precision:	Up to +/- 0.001" (0.0025mm)
Range setting:	Dip switches inside enclosure
Speed setting:	Dip switches inside enclosure
End of travel detection:	For needle valve closing, by motion detection
Power setting:	Adjustable to protect delicate needle valves on closing operation
Position detection:	Hall detectors
Motor control:	Electronic, full computer control
Mechanical shock:	1 m drop test no damage to function Random SAE J1211, Chassis, Exterior
Mechanical vibration:	Random SAE J1211, Chassis, Exterior
Thermal Shock:	-20 deg cel to + 70 deg cel 10 min

Linear Models	Force Range [in-lbs]	Speed range [time for 1 inch]
LCJ - 8	27 .. 170	8 .. 40 sec
LCL - 8	80 .. 510	8 .. 40 sec
LCM - 8	250 .. 1550	32 .. 128 sec
LCL - 16	120 .. 740	16 .. 80 sec
LCM - 16	350 .. 1460	64 .. 256 sec

Note: The speed and torque depend on the settings by dip switch of the actuator, selectable by user. Consult user manuals of individual units.

*De-rate the duty cycle to 25% for the highest torque values

Other Specifications:

Isolated Signals: [AI and AF models only]	Optical isolation 1000V min.
Feedback 4..20mA: [AF model only]	For sensing resistor of max. 250 ohms. Floats +6VDC / -2VDC from power Gnd
Position on power loss:	Standard, "remembers" the position it was in before shut down. It will reset the valve based on torque setting when the signal is between 3 & 4 mA

Available with HAZLOC
CSA / UL rated explosion proof enclosure
 Class I, Div 1, Group B, C, D
 Class II, Group E, F, G

General Description:

Type Mxx electric / electronic actuator are used to precisely position small valves and devices

Gears: Mxx actuators use sintered, greased for life metal gearing only

Housing: all housing parts are aluminum die cast and are protected by an electrophoresis paint

Bearings: Oiled for life porous bronze bearings

External Fasteners: Stainless Steel