

RDx-S-xxxDT- Spring Return

For 1.25" internal valves

Wiring:

Connect wires according to chart below. Full schematic found on next page:

Terminal #	Description
6	+24VDC +/- 20%
5	Power Gnd
4	Signal (provide 24V)
3	Limit Switch Common
2	Limit Switch - Valve Closed
1	Limit Switch - Valve Open

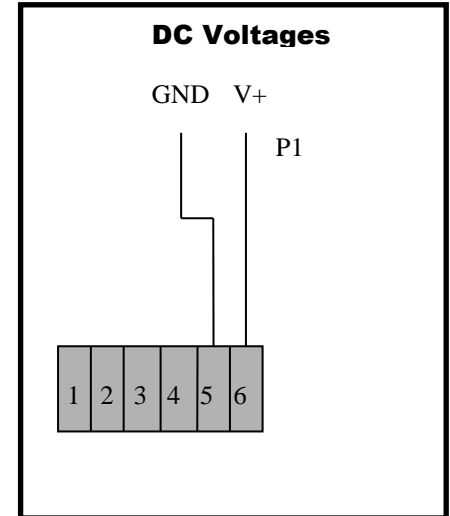
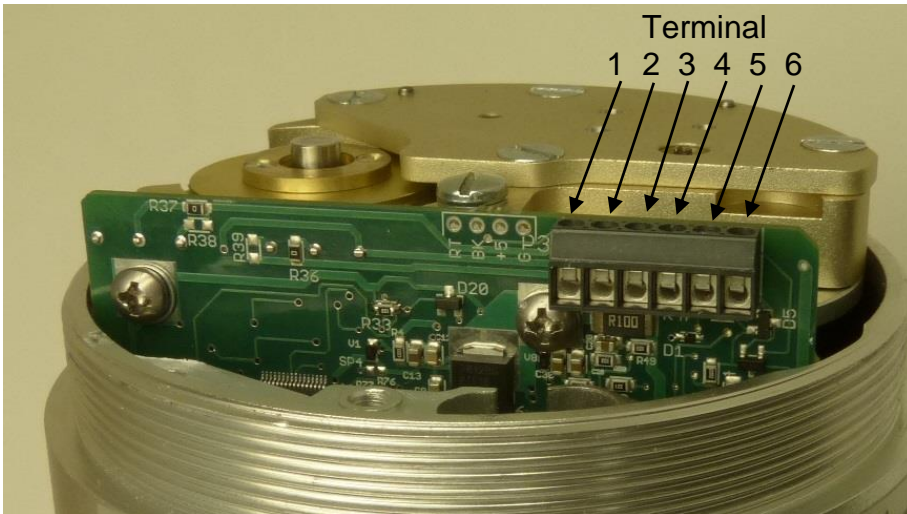


Connect the power:

The **RDx-S-xxxDT** may be connected to voltages ranging from 20– 24 VDC

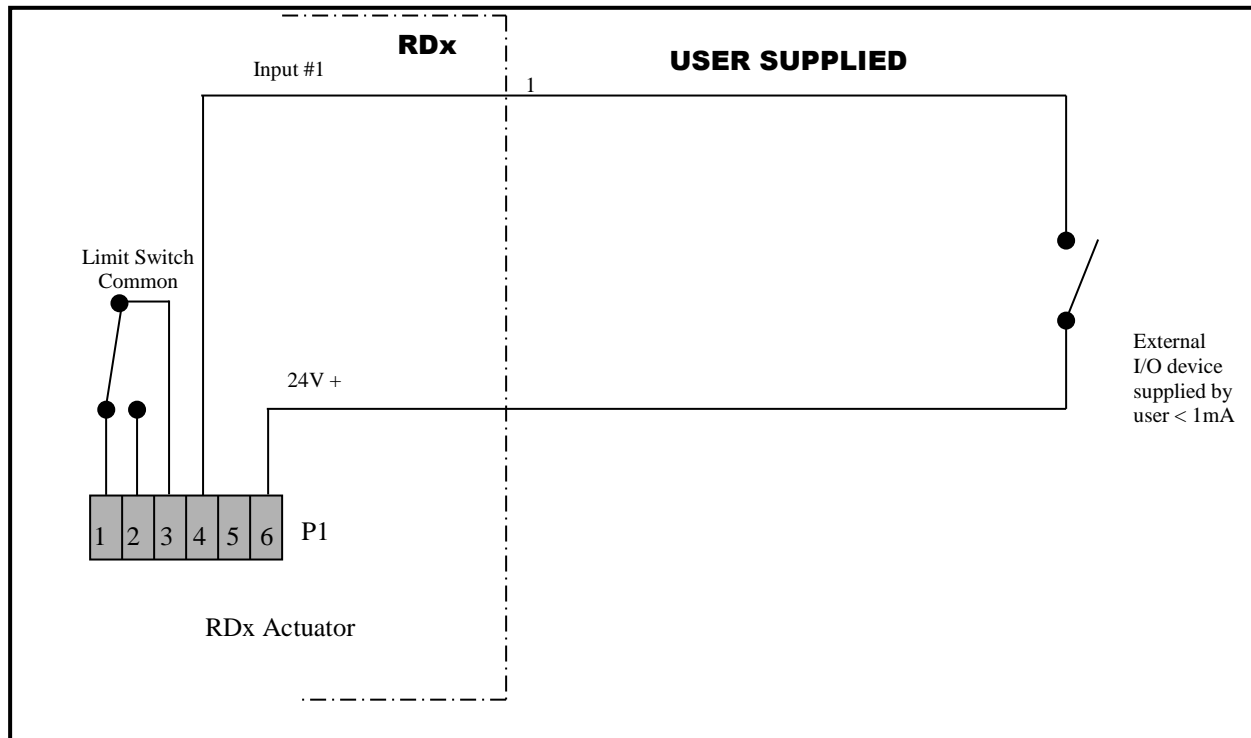
The power consumption will range from max. 4.0 to approx. min. 100mA when the actuator is active. When not moving, the actuator draws less than 60mA.

Locate the correct connection terminals as shown in the picture below then connect power according to the connection schematics to the right.



Connect the signal:

Locate the correct connection terminals as shown in the picture above then connect your input signal on terminal 1 as shown below.



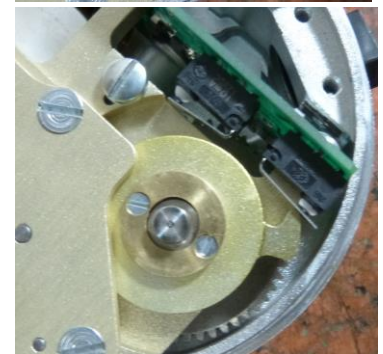
Functionality of the RDx-xxxAx

Input#1 (Terminal 4)	Action taken
Low (GND)	Moves to or remains in closed position
High (24V)	Moves to or remains in open position

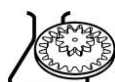
Feedback via Limit Switches

IMPORTANT: Do not exceed 0.1A or 24V through switches
 (future version will be good for 3A @ 125VAC)

Actuator Position	Action taken
Closed	Terminal 1 is connected to Terminal 3
Open	Terminal 2 is connected to Terminal 3
In between	Nothing is connected to Terminal 3



Limit switches are triggered mechanically when the actuator is fully closed, and when fully open. See photos above.



Torque and Speed

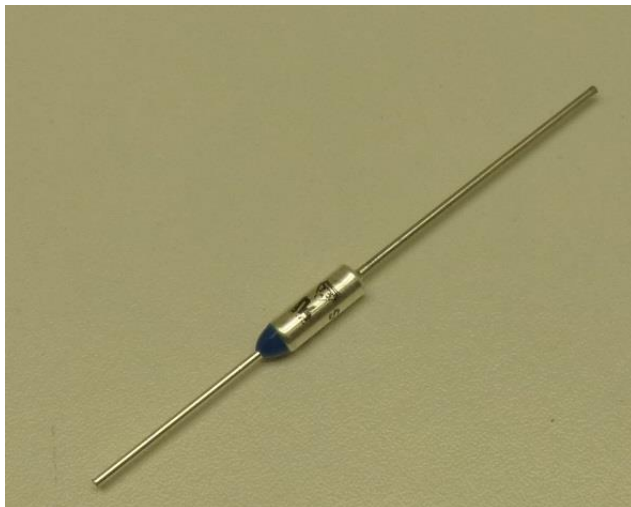
Torque	90in-lbs
Time to open	4 seconds
Time to close	2 seconds (2 seconds when power is lost)

Safety features:

Fusible Link: This UL approved part will mechanically fail at 100°C (212F). This will allow the internal valve's own spring to close itself.



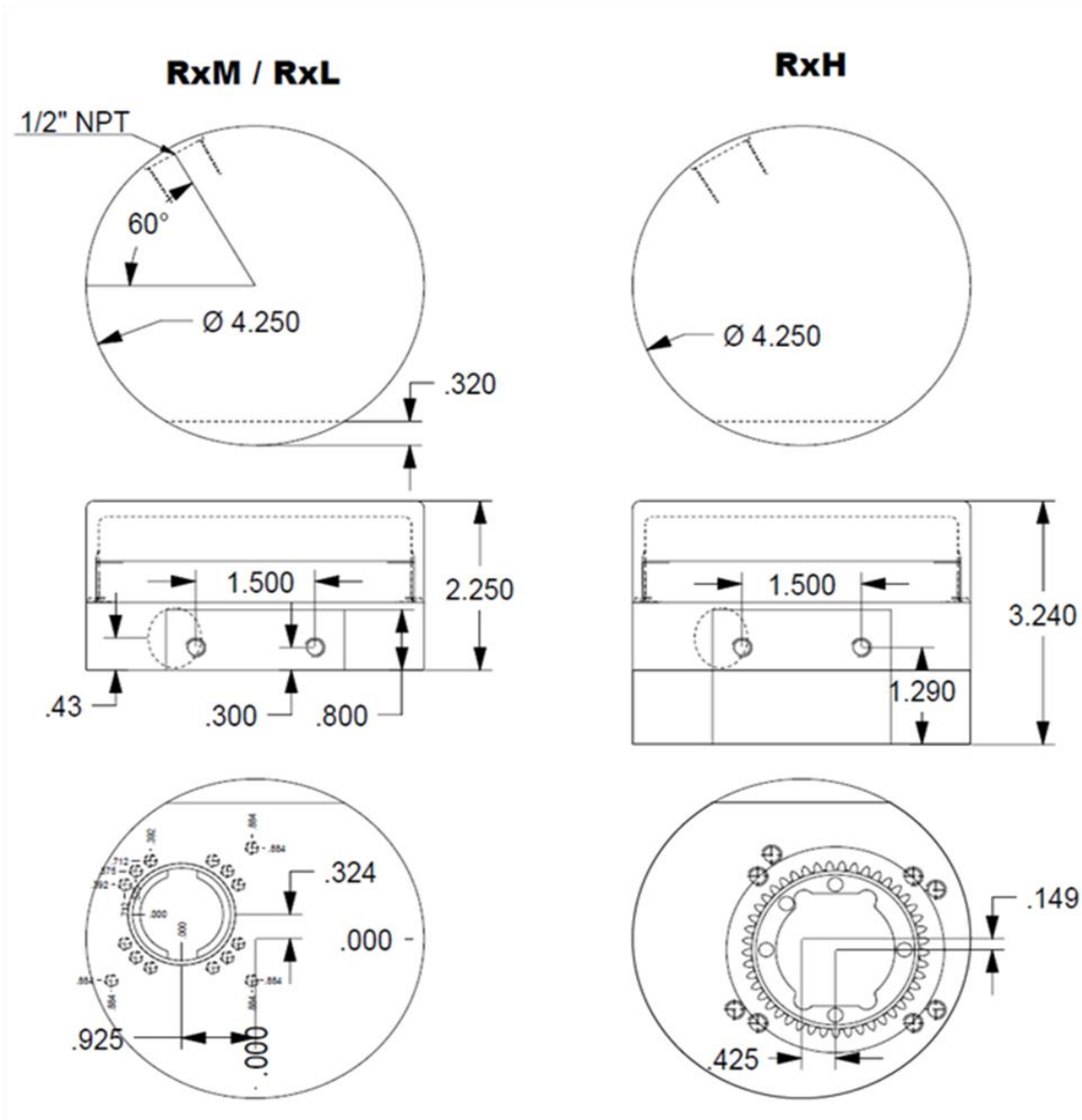
Thermal Cutoff: This UL approved part is found inside the enclosure, connected to the circuit board. When overheated it will sever the electrical connection, allowing the actuator to close itself via spring return.



Spring Return: This unit is capable of closing the valve attached to it when power is turned off, or lost for any reason.



Main Dimensions



Factory presetting:

Invoice No:

Line item :

Full Hanbay Part Number:

R	D		
---	---	--	--

 -

S					
---	--	--	--	--	--

 -

		A		
--	--	---	--	--

 -

--	--

 -

--	--	--	--	--	--	--	--

Hanbay Electronics:

A	x			
---	---	--	--	--

Hanbay Firmware:

A	F			
---	---	--	--	--

Valve Manufacturer:

Valve Type:

- Ball Valve
- Butterfly Valve
- Other (specify)

We have set your actuator(s) at our factory after mounting the valve and for testing the assembly.

The Dipswitch settings we applied to your actuator are: (1="On", 0="Off")

Dip1	Dip2	Dip3	Dip4	Dip5	Dip6	Dip7	Dip8	Dip9	Dip10	Dip11	Dip12

Notes & recommendations:

