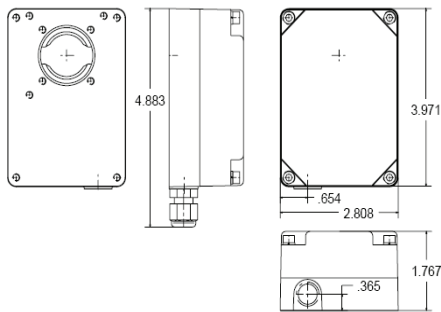


The M-Series is Hanbay's most popular electric valve-actuator, offering the perfect solution for metering applications. Thanks to its versatility and compact size, the M-series makes automation easy. Please contact us for more information.

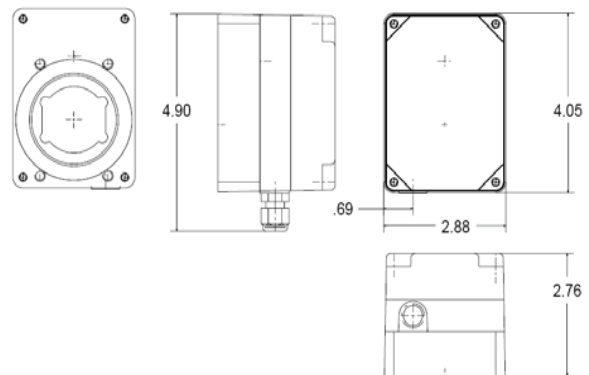


**DIMENSIONS**

**MxM/MxL/MxJ**



**MxH**



**FEATURES**

- Brushless DC motor
- 4..20mA or Modbus control
- 12-24VDC
- 500+ positions per turn
- Rotary and linear configurations
- Multi-turn, proportional control
- 1/4 Turn, discrete positioning
- Stainless Steel enclosure available
- Only 1.1lbs (0.5kg)
- Specialized for valve sizes ranging from 1/16 to 1 inch

**PERFORMANCE**

**Performance: Mxx Multi-turn models:**

Model	Torque Range [in-lbs]	Speed range [time for 1 turn]
MCL	2 .. 32	1 .. 5 sec
MCM	6 .. 90	3 .. 9 sec
MCH	22 .. 300	15 .. 60 sec
MCU	110 .. 1200	75 .. 300 sec

**Performance: Mxx 1/4 and 1/2 turn models:**

Model	Torque Range [in-lbs]	Speed range [time for 1/4 turn]
MDM	6 .. 90	0.75 .. 2.5 sec
MDH	22 .. 300	3 .. 9 sec
MDU	110 .. 1200	11 .. 38 sec