

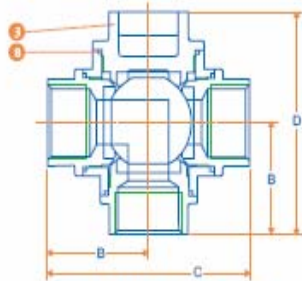
**HP3W & 4W**

**Actuated Diverter Ball Valves**

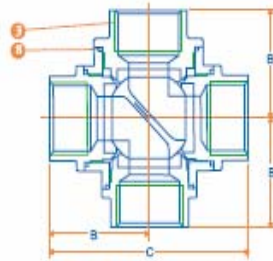


**FEATURES**

- 3 or 4-Way construction
- 4-Seated design provides 1000PSI operating pressure
- Live-loaded stem packing automatically compensates for stem packing wear and/or temperature variations
- Direct mounting of ISO 5211 compliant actuators
- Dual ISO 5211 mounting patterns
- Square stem head design
- Standard stainless handle and lock plate
- "L" port, "T" port and "X" port ball patterns available



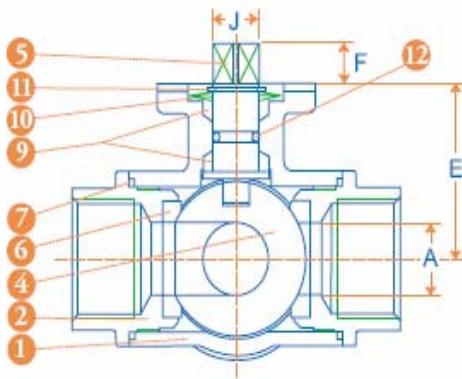
3-Way Top View



4-Way Top View

**RATINGS**

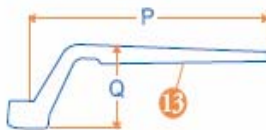
**1000PSIG @ 100°F**  
**150PSIG Saturated Steam**



**MATERIALS OF CONSTRUCTION (STD)**

PART	QTY.	DESCRIPTION	STANDARD MATERIAL
1	1	BODY	ASTM A351 GR. CF8M
2	3	TAILPIECE	ASTM A351 GR. CF8M
3	1	TAILPIECE A	ASTM A351 GR. CF8M
4	1	BALL	ASTM A351 GR. CF8M
5	1	STEM	ASTM A276 GR 316
6	4	SEAT	PTFE
7	3	TAILPIECE SEAL	PTFE
8	1	TAILPIECE A SEAL	PTFE
9	2	STEM PACKING	R-PTFE
10	2	BELLEVILLE WASHERS	304SS
11	1	RETAINING RING	420SS
12	1	O-RING	VITON
13	1	HANDLE	ASTM A351 GR. CF8M
NOT SHOWN	1	HANDLE BOLT	304SS
NOT SHOWN	1	STOP PLATE	304SS

**DIMENSIONS, WEIGHTS, CV FACTORS & MAXIMUM OPERATING TORQUE**



Handle Dimensions

SIZE	A	B	C	D	E	F	G	J DIA	K DIA	L DIA	M DIA	N DIA	P	Q	ISO PATTERN(S)	WEIGHT (LBS)	MAX TORQUE (IN-LB)
1/4" - 3/8"	0.50	1.48	2.96	2.78	1.56	0.35	9MM	0.47	1.65	1.42	0.24	.024	4.6	1.5	F03 & F04	1.6	60
1/2"	0.50	1.48	2.96	2.78	1.56	0.35	9MM	0.47	1.65	1.42	0.24	0.24	4.6	1.5	F03 & F04	1.6	60
3/4"	0.63	1.68	3.36	3.21	1.69	0.35	9MM	0.47	1.65	1.42	0.24	0.24	4.6	1.5	F03 & F04	2.5	80
1"	0.79	1.97	3.94	3.96	1.87	0.43	11MM	0.55	1.97	1.65	0.28	0.24	5.7	1.9	F04 & F05	4.1	130
1-1/4"	0.98	2.27	4.54	4.35	2.09	0.43	11MM	0.55	1.97	1.65	0.28	0.24	5.7	1.9	F04 & F05	5.8	190
1-1/2"	1.26	2.48	4.96	4.80	2.42	0.55	14MM	0.71	2.76	1.97	0.36	0.28	6.2	2.1	F05 & F07	8.5	280
2"	1.50	2.92	5.84	5.30	2.76	0.55	14MM	0.71	2.76	1.97	0.36	0.28	6.2	2.1	F05 & F07	12.9	450

