

# HANBAY

Laboratory  
Automation

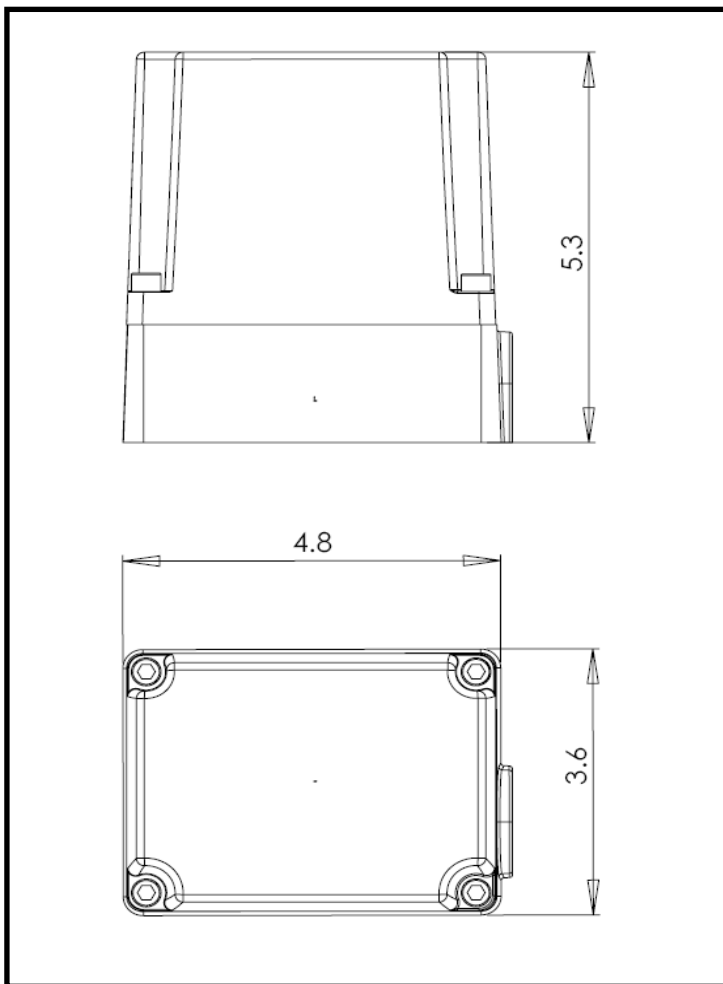
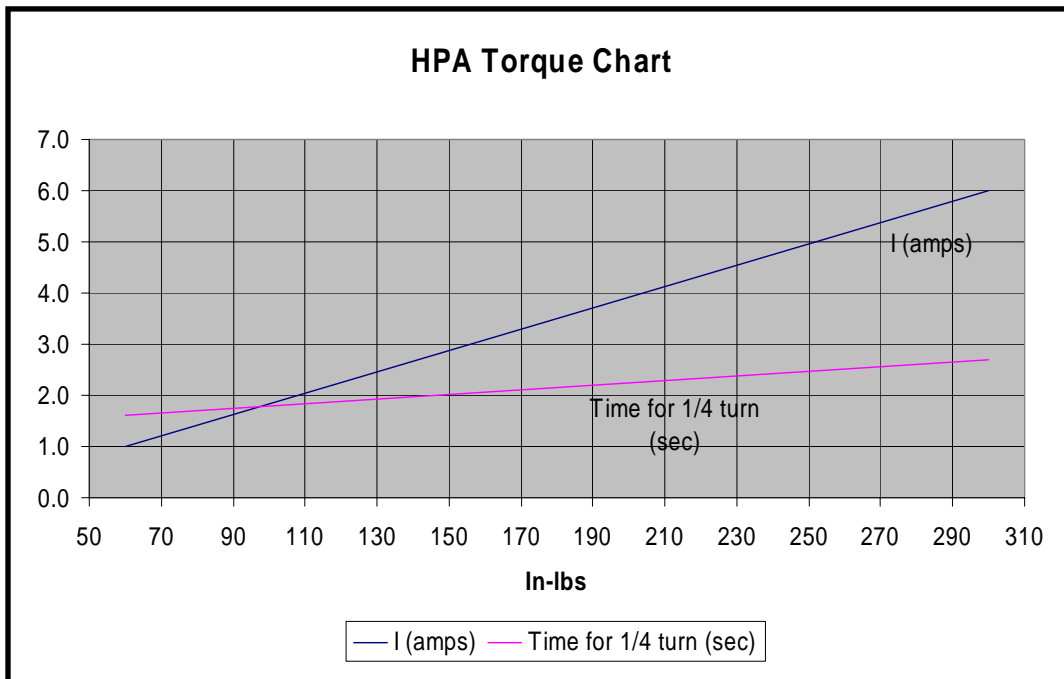
## HPA

High Torque Precision  
Electric Actuators

- Small size 4.8 lbs weight
- 2 Position ¼ Turn or ½ Turn
- Continuous model
- Low Cost
- 4..20 mA signal level
- TTL level signal
- RS485 control
- Extended Temperature range
- AC/DC 12-42 V Supply
- High accuracy positioning
- High torque for small devices
- Ideal for valves up to 3"
- Ideal for Pressure Regulators
- Din mounting flange available



HPA02



Main Dimensions

For more information or to order, please call us or visit our internet site at [HANBAYINC.COM](http://HANBAYINC.COM)

Hanbay Inc.  
 8 Woodland Ave  
 Beaconsfield PQ  
 H9W 4V9 CANADA

Phone: 514 426 1989  
 Toll Free: 800 315 4461  
 Fax: 514 426 9834